

## CTMSS1278F Series

### From 1.4 $\mu\text{H}$ to 1000 $\mu\text{H}$

### SPECIFICATIONS

Part numbers indicate inductance tolerance available.

M =  $\pm 20\%$ , K =  $\pm 10\%$

I<sub>rms</sub> based on temp. rise 40°C typ.

I<sub>sat</sub> based on  $\Delta L/L_0A=20\%$  max.



### CHARACTERISTICS

**Description:** SMD (shielded) power inductor

**Applications:** LCD panels, PC notebooks, portable communication equipment, DC/DC converters, etc.

**Temp. Rise:** 40°C typ.

**Operating Temperature:** -40°C to +125°C (temp. rise included)

**Storage Temperature:** -40°C to +125°C

**Inductance Tolerance:**  $\pm 10\%$ ,  $\pm 20\%$

**Testing:** Inductance tested at 100kHz, 0.1V

**Resistance to solder heat:** 260°C, 10 seconds

**Packaging:** Tape & Reel

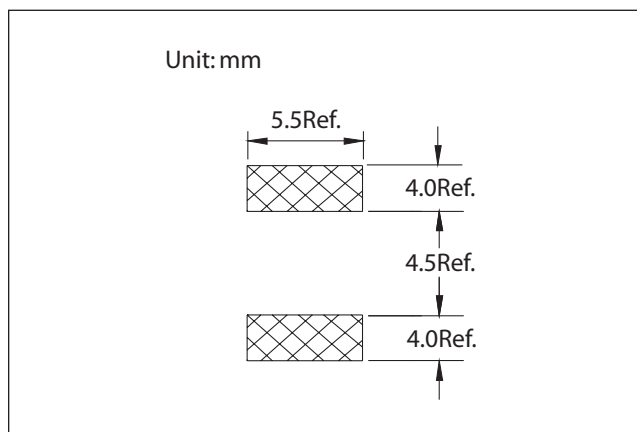
**Marking:** Parts are marked with inductance code

**Miscellaneous:** RoHS Compliant. Magnetically shielded

**Additional Information:** Additional electrical & physical information available upon request

**Samples available. See website for ordering information.**

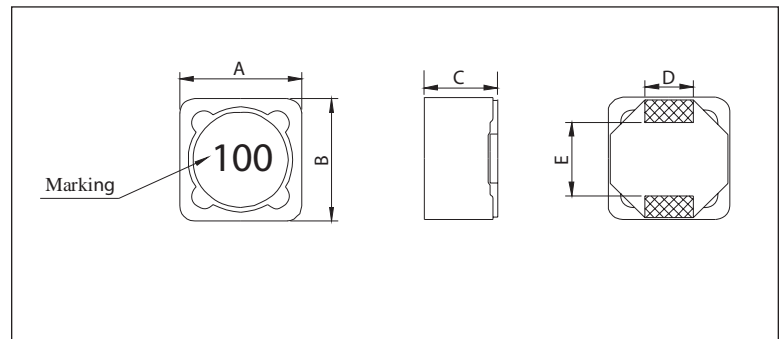
### LAND PATTERN



Part Number	Inductance at 100kHz ( $\mu\text{H}$ )	SRF Typ. (MHz)	DCR Max. (m $\Omega$ )	I <sub>rms</sub> (A)	I <sub>sat</sub> (A)
CTMSS1278F-1R4M	1.4	80.0	11	10.00	18.00
CTMSS1278F-4R7M	4.7	30.0	20	6.20	11.00
CTMSS1278F-6R0M	6.0	21.0	24	6.00	10.00
CTMSS1278F-8R2M	8.2	20.0	28	5.90	8.50
CTMSS1278F-100M	10	17.0	30	5.70	8.00
CTMSS1278F-120M	12	15.0	32	5.20	7.50
CTMSS1278F-150M	15	13.0	38	4.90	6.80
CTMSS1278F-180M	18	12.0	43	4.50	6.30
CTMSS1278F-220M	22	11.0	50	4.00	5.70
CTMSS1278F-270M	27	10.0	60	3.60	5.00
CTMSS1278F-330M	33	9.5	80	3.10	4.70
CTMSS1278F-390M	39	8.5	85	3.00	4.60
CTMSS1278F-470M	47	7.5	100	2.90	3.80
CTMSS1278F-560M	56	7.0	110	2.70	3.50
CTMSS1278F-680M	68	6.5	120	2.60	3.20
CTMSS1278F-820M	82	5.0	150	2.30	3.00
CTMSS1278F-101M	100	4.5	180	2.00	2.60
CTMSS1278F-121K	120	4.3	230	1.90	2.50
CTMSS1278F-151K	150	4.1	270	1.80	2.20
CTMSS1278F-181K	180	4.0	300	1.70	2.00
CTMSS1278F-221K	220	3.4	400	1.60	1.80
CTMSS1278F-271K	270	3.1	530	1.20	1.60
CTMSS1278F-331K	330	2.9	600	1.00	1.50
CTMSS1278F-391K	390	2.7	680	1.00	1.30
CTMSS1278F-471K	470	2.2	880	0.90	1.20
CTMSS1278F-561K	560	2.0	960	0.80	1.10
CTMSS1278F-681K	680	1.7	1300	0.75	1.00
CTMSS1278F-821K	820	1.4	1500	0.70	0.95
CTMSS1278F-102K	1000	1.3	1700	0.68	0.85

### PHYSICAL DIMENSIONS

Size	A	B	C Max.	D Typ.	E Typ.
mm	12.0 $\pm$ 0.3	12.0 $\pm$ 0.3	8.0	5.0	5.7
inches	0.472 $\pm$ 0.012	0.472 $\pm$ 0.012	0.315	0.197	0.224



05.04.09